

RB Series

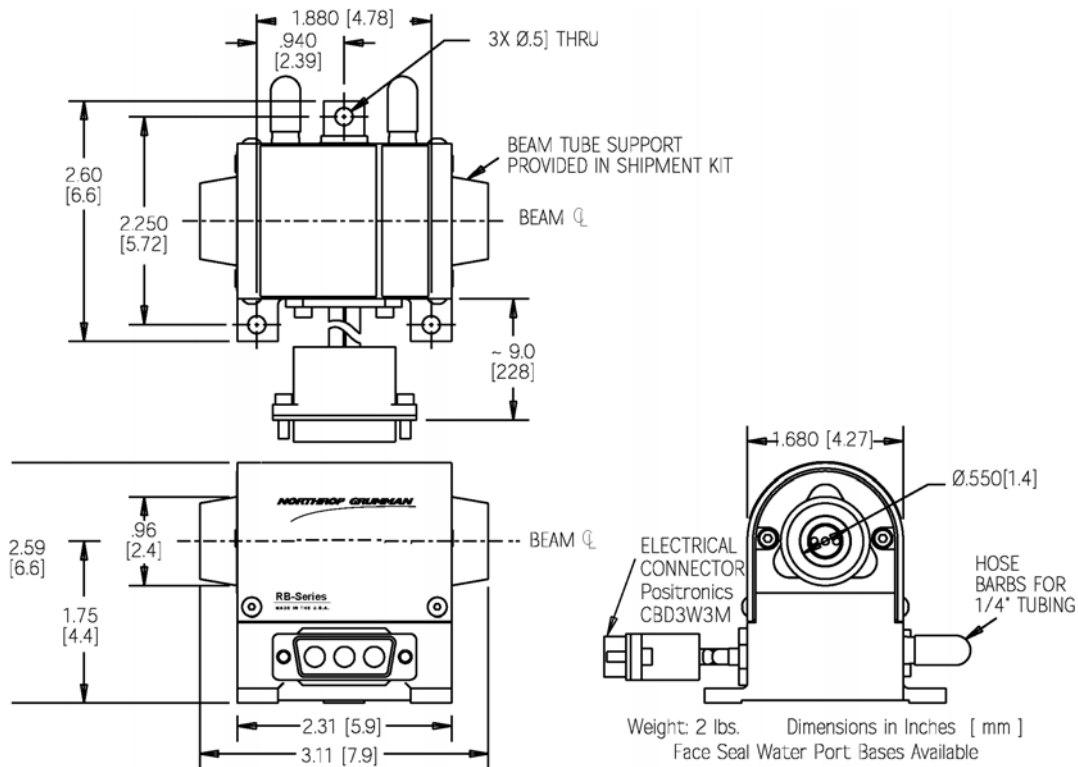


Product Overview

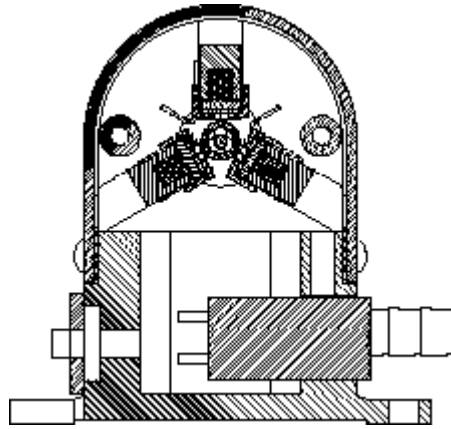
DPSS Nd:YAG Laser Modules

Product Definition

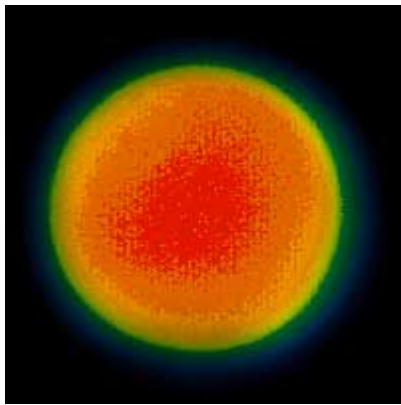
The RB Series is a replacement/retrofit for existing medium power arc lamp laser systems. It is ideal OEM building block for the development or production of new state of the art laser systems. The RB Series is a highly reliable, sealed module. It is extremely compact, rugged, and efficient.



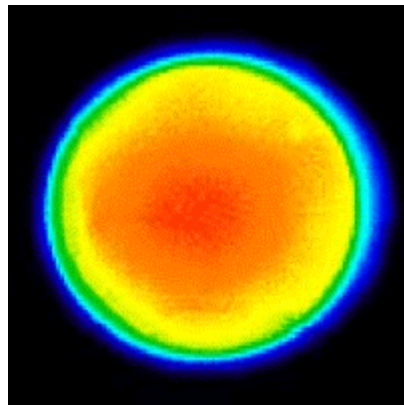
Pump Symmetry



Relay Image of Fluorescence

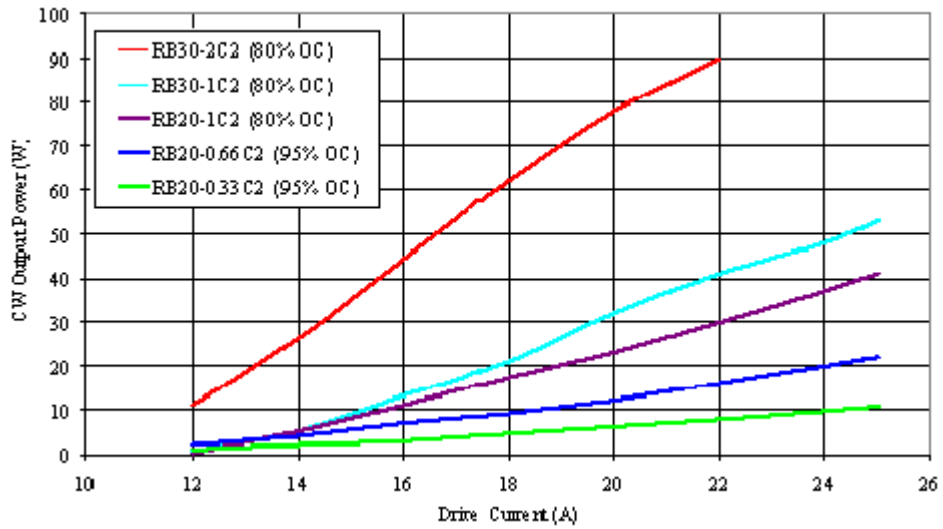


2mm rod

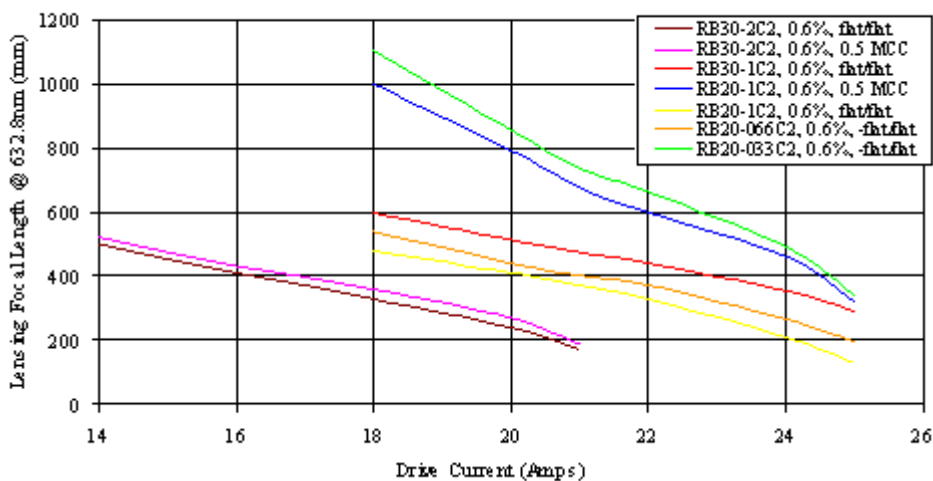


3mm rod

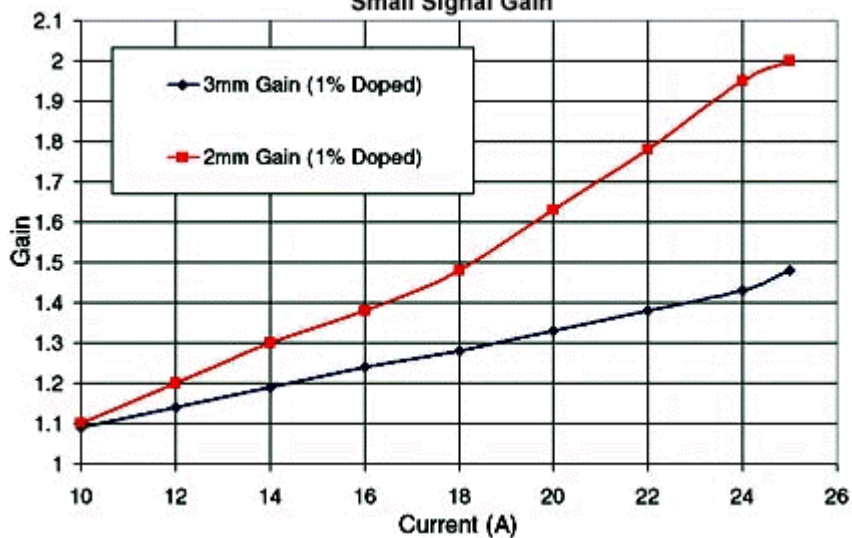
CW Power



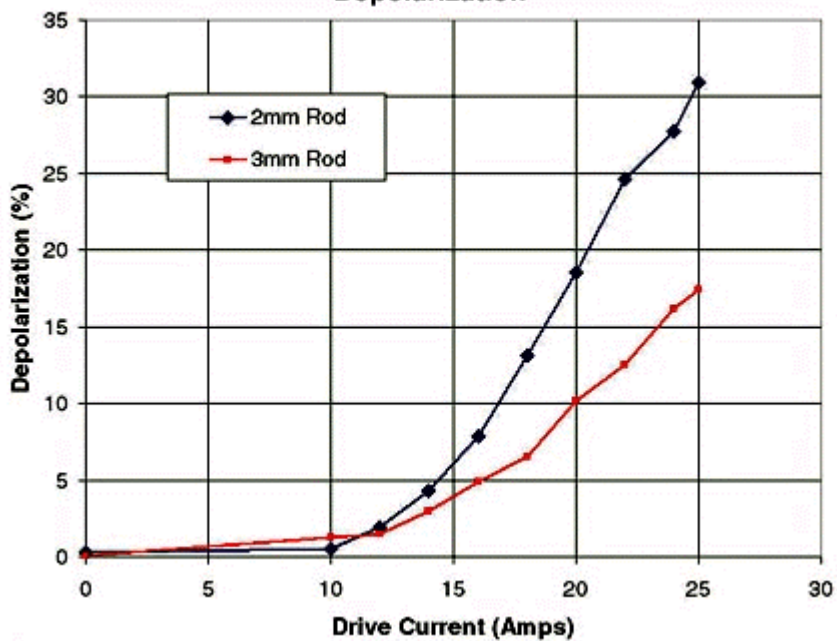
Rod Lensing

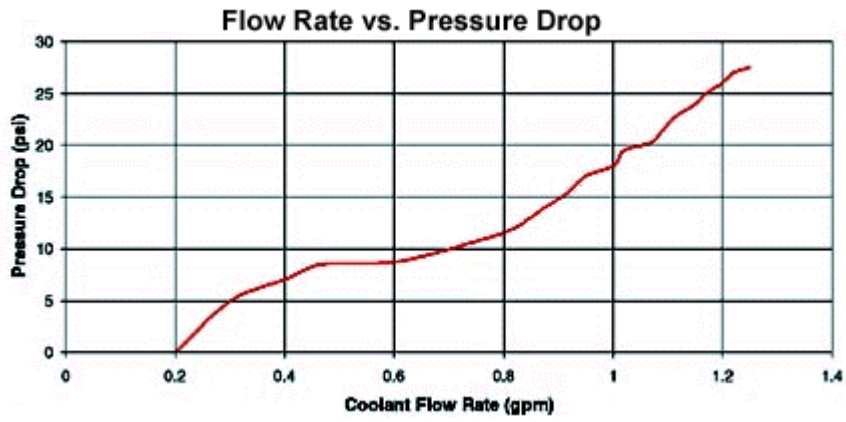


Small Signal Gain

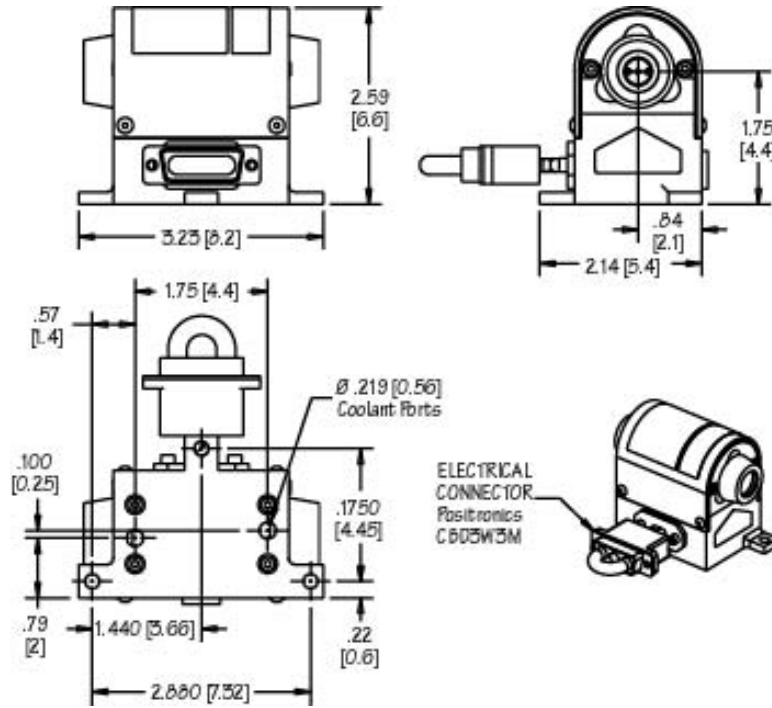


Depolarization





Optional Face Seal Water Port OEM Base



Chiller Requirements

- Pressure ~ 50 PSI (60 PSI max)
- Flow Rate ~ 1.1 GPM
- Flow Switch >0.5 GPM
- Distilled Water (No DI Water)
- 5 µm Filter
- OptiShield® Plus

Preventative Maintenance

- Change Water Annually
- Change Filter Annually
- Keep Output Window Clean
- Add OptiShield® Plus

Recommended chiller NESLAB M-25 or equivalent. See table below for M-25 specifications.

* For RB20-2C2 and RB30-2C2 recommended chiller NESLAB M-33 or equivalent.

Cooling Capacity 60 Hz Model @ 20°C	810 Watts, 2765 BTU/hr, 697 Kcal/hr
Cooling Capacity 50 Hz Model @ 20°C	725 Watts, 2474 BTU/hr, 624 Kcal/hr
Temperature Range	+ 5°C to + 35°C
Temperature Stability	± 0.1°C
Controller	Digital
Pump	MD-30/PD-1
Reservoir Volume	0.5 gallons 1.8 Liters
Case Dimensions (H x W x D)	23 1/2 x 12 5/8 x 20 7/8 inches 59.7 x 32.1 x 53.0 centimeters
Power Requirements 60 Hz Model	115 V, 60 Hz, 11 Amps
Power Requirements 50 Hz Model	230 V, 50 Hz, 6 Amps
Shipping Weight	141 lbs. / 64 Kgs